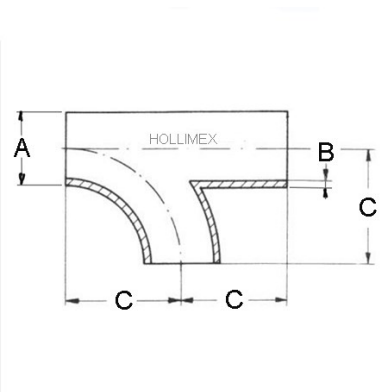


ENKELSTROMEND T-STUK - BLANK/MAT - DIN11852 / EN10374



Artikelcode	Afmeting	A	B	C	Kwaliteit
21035-15614	DN15	19	1.5		316L / 1.4404
21035-37288	1/2" - ISO	21.3	2	25.5	304L / 1.4307
21035-37289	1/2" - ISO	21.3	2	25.5	316L / 1.4404
21035-17314	1" - Dutch Dairy	25.4	1.5	75	316L / 1.4404
21035-37290	3/4" - ISO	26.9	2	28.5	304L / 1.4307
21035-37291	3/4" - ISO	26.9	2	28.5	316L / 1.4404
21035-17902	DN25	29	1.5	50	316L / 1.4404
21035-37292	1" - ISO	33.7	2	38	304L / 1.4307
21035-37293	1" - ISO	33.7	2	38	316L / 1.4404
21035-17262	DN32	35	1.5	55	316L / 1.4404
21035-1962	1 1/2" - Dutch Dairy	38.1	1.5	90	316L / 1.4404
21035-11959	DN40	41	1.5	60	316L / 1.4404
21035-9078	1 1/4" - ISO	42.4	2	48	304L / 1.4307
21035-37294	1 1/4" - ISO	42.4	2	48	316L / 1.4404
21035-37295	1 1/2" - ISO	48.3	2	57.5	304L / 1.4307
21035-9214	1 1/2" - ISO	48.3	2	57.5	316L / 1.4404
21035-14042	2" - Dutch Dairy	50.8	1.5	100	304L / 1.4307
21035-1963	2" - Dutch Dairy	50.8	1.5	100	316L / 1.4404
21035-17903	DN50	53	1.5	70	316L / 1.4404
21035-37296	2" - ISO	60.3	2	76	304L / 1.4307
21035-37297	2" - ISO	60.3	2	76	316L / 1.4404
21035-1964	2 1/2" - Dutch Dairy	63.5	1.5	115	316L / 1.4404
21035-17904	DN65	70	2	80	316L / 1.4404
21035-1965	3" - Dutch Dairy	76.1	1.5		316L / 1.4404
21035-37298	2 1/2" - ISO	76.1	2	95	304L / 1.4307
21035-37299	2 1/2" - ISO	76.1	2	95	316L / 1.4404
21035-15311	DN80	85	2	90	316L / 1.4404

HOLLIMEX

STAINLESS STEEL & OTHER METALS

21035-17546	3" - ISO	88.9	2	114.5	304L / 1.4307
21035-20458	3" - ISO	88.9	2	114.5	316L / 1.4404
21035-1966	4" - Dutch Dairy	101.6	2	150	316L / 1.4404
21035-12064	DN100	104	2	100	316L / 1.4404
21035-12753	4" - ISO	114.3	2	152.5	304L / 1.4307
21035-23679	4" - ISO	114.3	2	152.5	316L / 1.4404
21035-41738	DN150	129	2		316L / 1.4404
21035-24539	5" - ISO	139.7	2	190.5	304L / 1.4307
21035-20462	5" - ISO	139.7	2	190.5	316L / 1.4404
21035-10142	DN150	154	2		316L / 1.4404
21035-37300	6" - ISO	168.3	2	228.5	304L / 1.4307
21035-30257	6" - ISO	168.3	2	228.5	316L / 1.4404
21035-39294	6" - ISO	168.3	3		316L / 1.4404

Kilweg 2 • 3336 LL Zwijndrecht • The Netherlands • **T:** (+)31 (0)85-0212750 • **F:** (+)31 (0)85-0212765

E: sales@hollimex.nl • **I:** www.hollimex.nl • **K.v.K.:** 29042925 • **BTW / VAT:** NL804201754B01

ING Bank: 694610194 • **IBAN:** NL02 INGB 0694 6101 94 • **BIC:** INGBNL2A

Buizen • Profielen • Staf • Platen • Appendages • Flenzen • Fittingen • Koppelingen • Vlinderkleppen • Kranen • Afsluiters • Montagemiddelen • Bewerkingen • Maatwerk